



MANTSINEN AUTOMATIC QUICK COUPLER

The Mantsinen Automatic Quick Coupler increases efficiency and safety. It enables a quick change of attachments automatically from the operator's cabin - completed in just two minutes!

This speeds up the change of attachments and improves onsite safety. The lightweight, cost-efficient and robust solution makes material handling more flexible and faster.



SPEED AND EFFICIENCY

- Faster attachment changes.
- Reduced downtime between handling different materials.
- More flexible and streamlined material handling process.

SAFETY AND ACCURACY

- Automatic and secure attachment changes by the operator.
- Improved safety for workers.
- Reduced risk of injury and the possibility of connection errors
- No need for manual connection of hoses.

FLEXIBILITY AND VERSATILITY

- The Mantsinen Automatic Quick Couplers MCA30 and MCA60 use the same adapter.
- Dust and dirt protection of the adapter connectors.
- 8 couplings

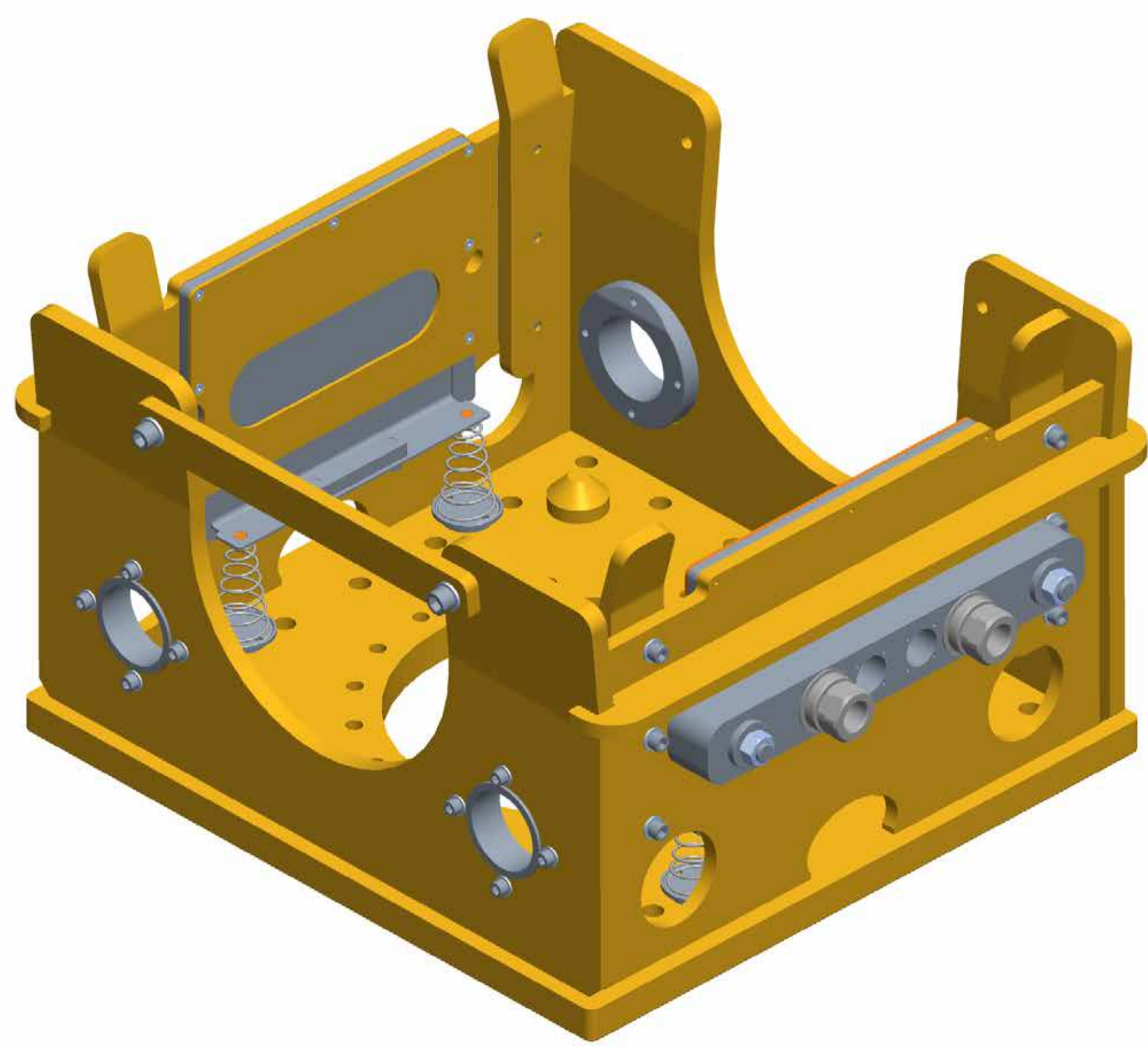
COST SAVINGS

- Long-term cost savings achieved through increased productivity.
- No need for extra personnel to assist with attachment changes.

TWO COUPLERS AND ONE ADAPTER TO MATCH

The Mantsinen Automatic Quick Coupler comes in two sizes: smaller MCA30 (SWL 30t) for Mantsinen 60–160 machines and larger MCA60 (SWL 60t) for Mantsinen 200 and 300. Both use the same adapter; you can cross-use attachments for both coupler sizes. Additionally, as many as connection points allow you to operate a variety of attachments.

The MCA can be equipped with hydraulic, electric and CANbus connections. Available as a retrofit solution for older machines and attachments.



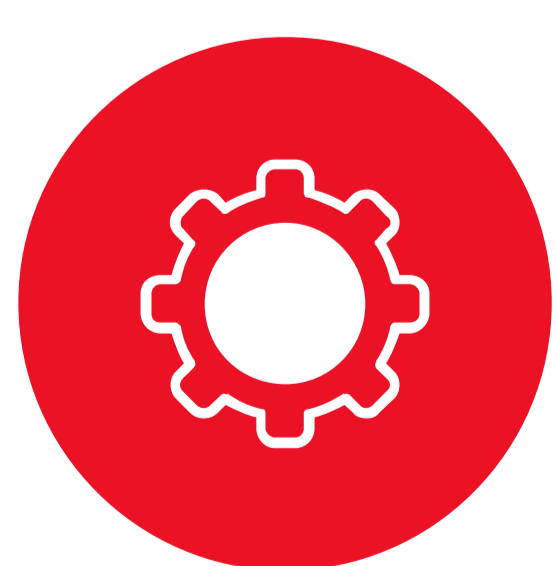
HOW DOES IT WORK?

The Mantsinen Automatic Quick Coupler is lowered vertically into the adapter and the operator locks it in place. Then the hydraulic connectors of the coupler and the adapter are connected, and the electric or CANbus locking pins are secured. Mating between the crane and the attachment is a simple drop down vertical movement. Simple and easy!

SCAN
THE QR CODE
AND SEE IT
IN ACTION



SAFETY



AUTOMATION



EFFICIENCY



PRODUCTIVITY